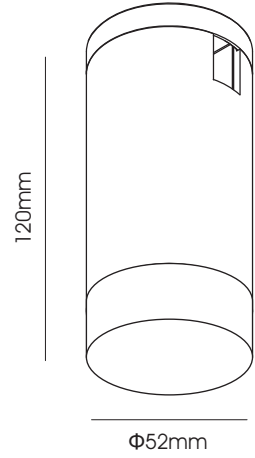


RAIL ACRYLIC 9W

Installation Manual

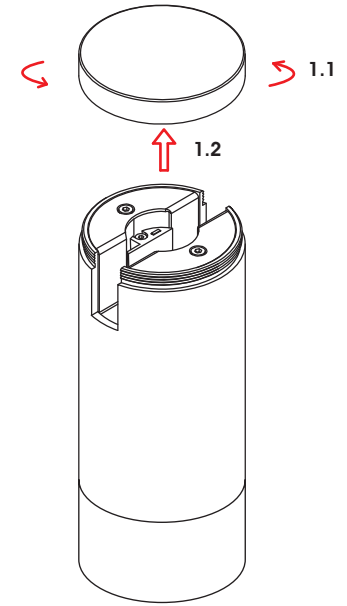
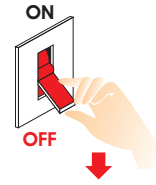


1

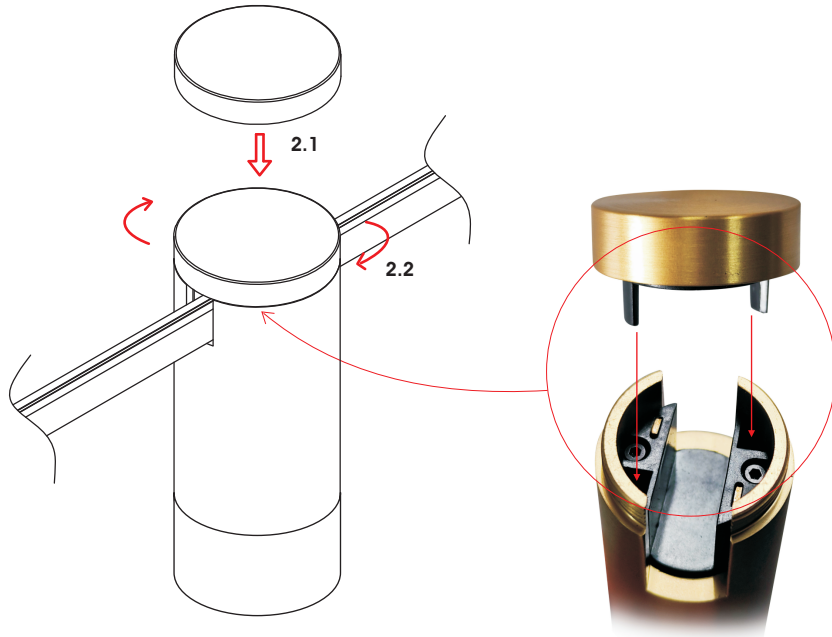


Attention

Switch off the main power.



2



3

